

SCAG[®]

POWER EQUIPMENT

MODEL GC-STC-CS



THIS MANUAL CONTAINS THE OPERATING INSTRUCTIONS AND SAFETY INFORMATION FOR YOUR SCAG ACCESSORY. READING THIS MANUAL WILL PROVIDE YOU WITH MAINTENANCE AND ADJUSTMENT PROCEDURES TO KEEP YOUR ACCESSORY PERFORMING TO MAXIMUM EFFICIENCY. THE SPECIFIC MODELS THAT THIS BOOK COVERS ARE CONTAINED ON THE INSIDE COVER. BEFORE OPERATING YOUR MACHINE, PLEASE READ ALL THE INFORMATION ENCLOSED.

OPERATOR'S MANUAL



WARNING

FAILURE TO FOLLOW SAFE OPERATING PRACTICES MAY RESULT IN SERIOUS INJURY.

- * Keep all safety shields in place.
- * Before performing any maintenance or service, stop the machine and remove the spark plug wire.
- * If a mechanism becomes clogged, stop the engine and wait for all moving parts to come to a complete halt before cleaning.
- * Keep hands, feet and clothing away from power-driven parts.
- * Read this manual completely as well as the Operator's Manual that came with your mower.
- * Keep others off the tractor (only one person at a time).

REMEMBER - YOUR MOWER IS ONLY AS SAFE AS THE OPERATOR!

Hazard control and accident prevention are dependent upon the awareness, concern, prudence, and proper training of the personnel involved in the operation, transport, maintenance, and storage of the equipment.

This manual covers the operating instructions
and illustrated parts list for:

GC-STC-CS with a serial number of A8100001 to A8199999

1.1 INTRODUCTION

This manual has been prepared to provide the information you need to correctly assemble, operate, and maintain this grass catcher. Read it carefully and keep it for future reference.

The replacement of any part on this product by other than the manufacturer's authorized replacement part may adversely affect the performance, durability or safety of this product.

USE OF OTHER THAN ORIGINAL SCAG REPLACEMENT PARTS WILL VOID THE WARRANTY.

If additional information or service is needed that is not outlined in this manual, please contact your Scag Power Equipment dealer. Scag dealers are trained in the latest service methods and carry a full line of Scag replacement parts.

When ordering parts, always provide the complete model number of your catcher.

All information provided in this manual is based upon information available at the time of printing. Scag Power Equipment reserves the right to make changes at any time without notice or obligation.

1.2 DIRECTION REFERENCE

The "Right" and "Left", "Front" and "Rear" of the machine are referenced from the normal operating position.

2.1 SAFETY AND OPERATING INSTRUCTIONS

-NOTE-

To avoid personal injury, it is imperative that all safety instructions be observed.

1. Read this operator's manual and the operator's manual that is supplied with the machine this attachment is used on.

A replacement manual is available from your authorized Scag Service Dealer or by contacting: Scag Power Equipment, Service Department at P.O. Box 152, Mayville, WI 53050. You may also contact us through our website at www.scag.com. The manual for this grass catcher can be downloaded by using the model and serial number or use the contact form to make your request. Please indicate the complete model and serial number of your Scag product when requesting replacement manuals.

WARNING

DO NOT OPERATE WITHOUT DISCHARGE CHUTE, MULCHING KIT, OR ENTIRE GRASS CATCHER INSTALLED

2. Before removing the grass bags, disengage the mower, stop the engine and wait for all movement to stop.
3. **ALWAYS** turn the engine **OFF**, remove the key and wait for all movement to stop before servicing or cleaning the mower or the grass catcher.

DANGER



**ROTATING BLOWER
BLADES**

**STOP ENGINE BEFORE
ENTERING CHUTE**

CONTACT CAN INJURE

4. Do not modify or alter any component of the grass catcher attachment or mower.
5. Do not allow any passengers to ride on the grass catcher attachment or on the mower.

2.2 GRASS CATCHING OPERATION

1. With the hopper door closed, engage the deck drive.
2. Proceed to mow until the hopper is full.

3. When dumping the hopper into a disposal area:



- A. Disengage the deck drive, apply the parking brake and allow all moving parts to come to a complete stop.
- B. Pull downward on the hopper door handle to allow the hopper sweeper to remove the material from inside the hopper. See Figure 2-1.

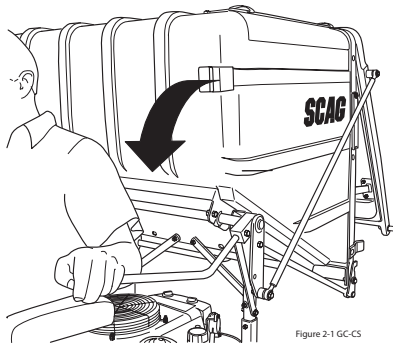


FIGURE 2-1

- C. Once the material has been completely removed from the hopper, lift the hopper door handle to close the hopper door and lock into place. See Figure 2-2.

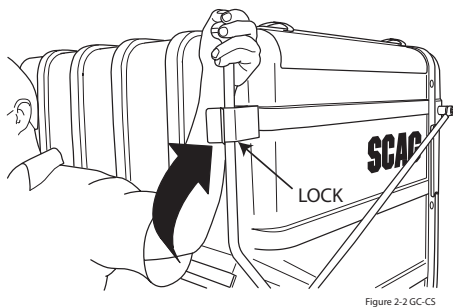


FIGURE 2-2

4. When dumping the hopper into a disposal area, inspect the hopper debris screen for material. When the debris screen is full of material, the grass catching ability may suffer. Frequency of cleaning the hopper debris screen will vary depending on conditions.

5. To clean the hopper debris screen;

- A. Disengage the deck drive and allow all moving parts to come to a complete stop.
- B. Apply parking brake and shut off the engine.
- C. Stand on the left side of the hopper assembly.
- D. Unhook the debris screen latches and remove the debris screen from the hopper. See Figure 2-3.

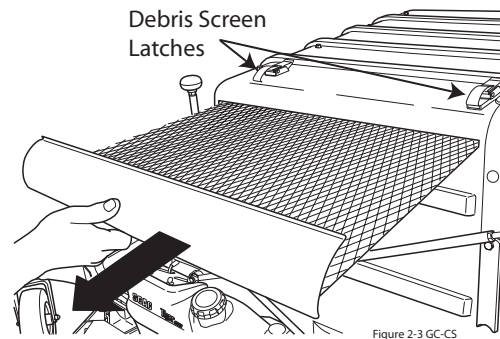


FIGURE 2-3

- E. Remove material from the debris screen and reinstall. Secure by latching the debris screen latches.

6. When service is needed inside the hopper, disengage the deck drive and allow all moving parts to come to a complete stop, shut off the engine and apply the parking brake. Rotate the hopper door prop rod upward until it contacts the hopper door. This will prevent the hopper door from moving until the service is complete. See Figure 2-4.

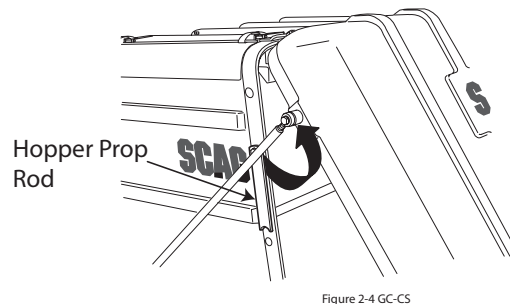


FIGURE 2-4

3.1 ASSEMBLY INSTRUCTIONS FOR 48" AND 52" CUTTER DECK

-NOTE-

Use the illustrated parts list as a part number reference when following the assembly instructions.

1. Remove all packaging materials. Lay out the mounting hardware and the catcher assembly parts for easy access. Prepare the work area making sure that it is a clean, safe environment.



2. Remove the discharge chute from the cutter deck. See Figure 3-1.

-NOTE-

Do not discard the discharge chute or mounting hardware. The discharge chute **MUST** be reinstalled anytime the grass catcher is removed from the machine.

3. Remove the right side belt cover to gain access to the spindle assembly. Remove the front u-nut from the cutter deck bracket. See Figure 3-1.

-NOTE-

Retain the original belt cover. This cover **MUST** be reinstalled anytime the complete catcher system is removed.

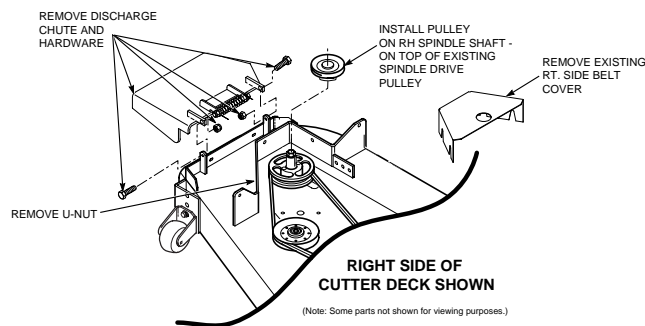


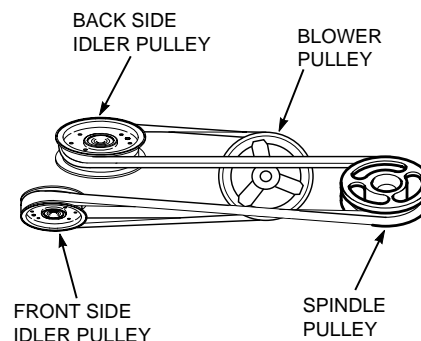
FIGURE 3-1

Figure 1- GC-STC install art

-NOTE-

When installing this grass catcher on a machine with a serial number range from 7630001 to 8479999, you will need to install part number 461764 for a 48" cutter deck or 461765 for a 52" cutter deck. This kit includes a new Turbo Baffle and Deck Baffle.

4. Install the grass catcher pulley onto the spindle assembly. Apply loctite to both pulley setscrews and tighten. See Figure 3-1.
5. Install the blower mounting bracket to the deck using carriage bolts (p/n 04003-11), lockwashers, and nuts. Do not fully tighten the hardware at this time. See Figure 3-2, Page 4.
6. Install the blower assembly to the mounting bracket and secure with the mounting pin. See Figure 3-3, Page 4.
7. Align the blower assembly with the discharge opening of the cutter deck. Tighten the hardware for the mounting bracket. Then tighten the hardware for the catch plate. See Figure 3-3, Page 4.
8. Install the large hair pin through the rear hole in the discharge chute mounting bracket. See Figure 3-3, Page 4.
9. Install the belt to the spindle pulley. When replacing the belt, see figure below.



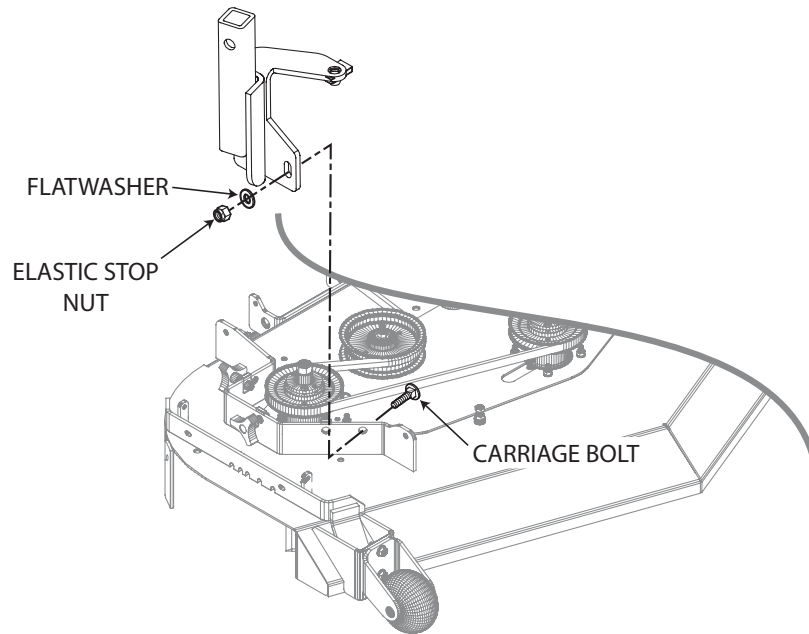
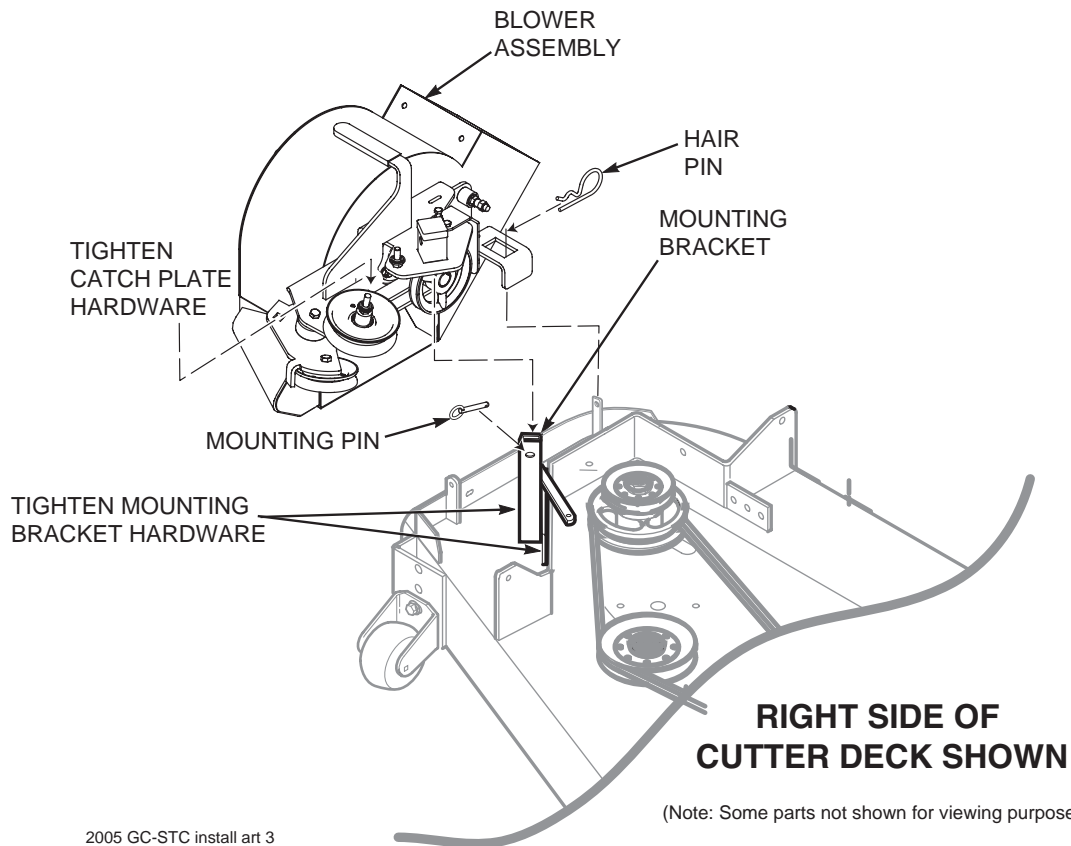


FIGURE 3-2



2005 GC-STC install art 3

FIGURE 3-3

10. Install the new belt covers and secure. See items number 1 and number 21 on page 10 of the Blower Mounting Components section in the Illustrated Parts List for proper installation.
11. Install the hopper mounting brackets to the outside of the frame on the rear of the machine. See Figure 3-4.

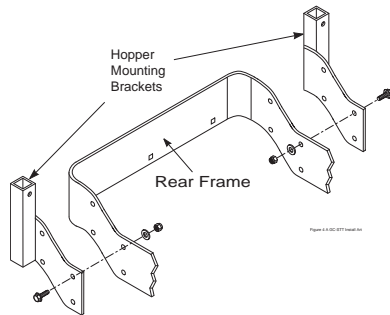


FIGURE 3-4

12. With help from an assistant, install the hopper assembly to the machine by installing the mounting post into the hopper mounting brackets and secure with the ring pins. Tighten the bolts and jam nuts. See Figure 3-5.

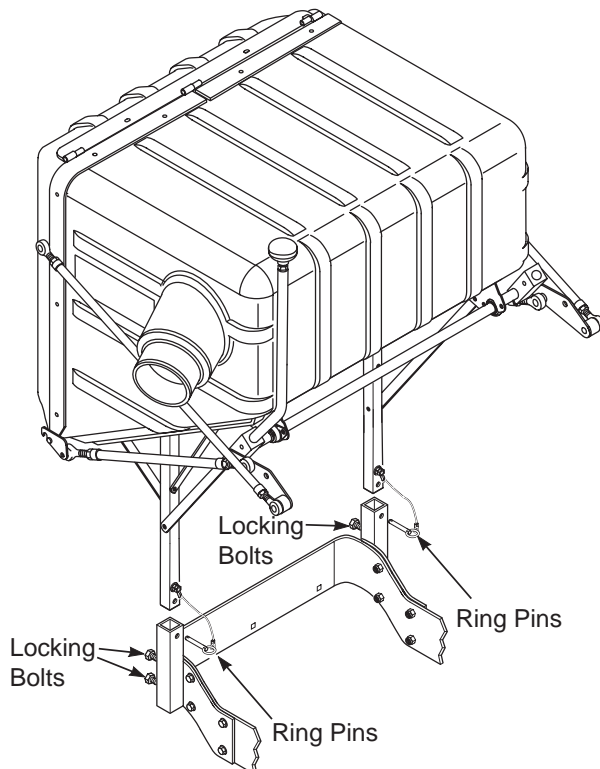


FIGURE 3-5

-NOTE-

The hopper dump handle can be installed on either side for operator convenience. When installing this grass catcher on a machine with the Roll Over Protection System (ROPS), the curved handle will need to be installed on the right side.

13. Install the hose from the blower assembly adapter to the hopper hood and secure using the 6-1/2" clamps.
14. Using the weight support bar as a guide, identify the four corresponding mounting holes, and the existing hardware that will need to be removed in order to secure the weight support bar to the front of the machine as shown. See Figure 3-6.
15. Install one 7/16-14 x 1-3/4" hex head bolt into each of the four mounting holes in the weight support bar, and through the matching holes in the caster support weldment. Secure this assembly to the front of the machine using the 7/16- .5" x 1-1/4" x .083" flatwashers, and the 7/16-14 elastic stop nuts. Torque hardware to 59 ft. lbs. See Figure 3-6.

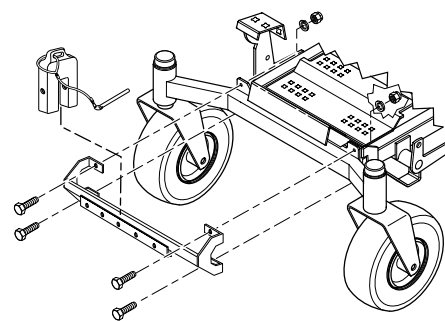


FIGURE 3-6

16. Operate and test.

4.1 GRASS CATCHER REMOVAL INSTRUCTIONS

1. Prepare the work area making sure that it is a clean, safe environment.
2. Remove the rubber strap holding the adapter to the blower assembly. See Figure 4-1.
3. Remove the pin and hair pin holding the blower assembly to the mounting bracket on the cutter deck and remove the blower assembly. See Figure 4-1.

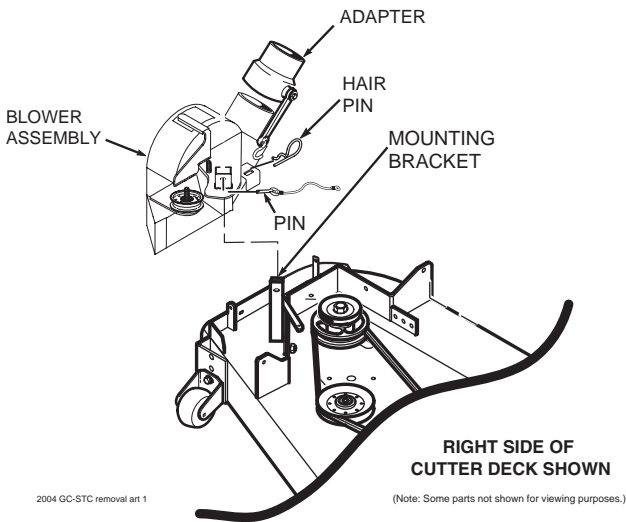


FIGURE 4-1

5. With help from an assistant, remove the hopper assembly from the mounting posts.

! WARNING

DO NOT OPERATE WITHOUT DISCHARGE CHUTE, MULCHING KIT, OR ENTIRE GRASS CATCHER INSTALLED

6. Re-install the side discharge chute to the opening on the cutter deck. Replace the two outside mounting bolts on the discharge chute with the clevis pins (p/n 04064-15) and rue cotter pins (p/n 04069-03). See Figure 4-3.

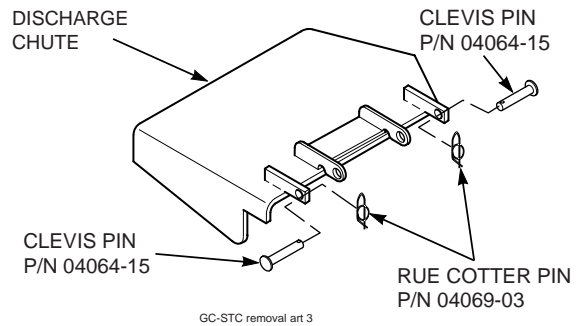


FIGURE 4-3

4. Loosen the four (4) locking bolts and jam nuts. Remove the two (2) pins holding the hopper assembly to the mounting posts on the rear of the machine. See Figure 4-2.

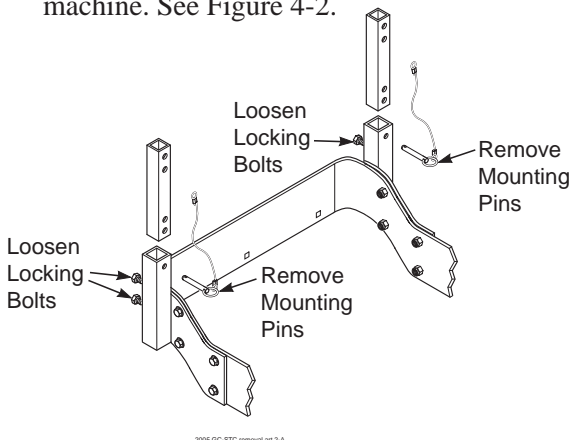
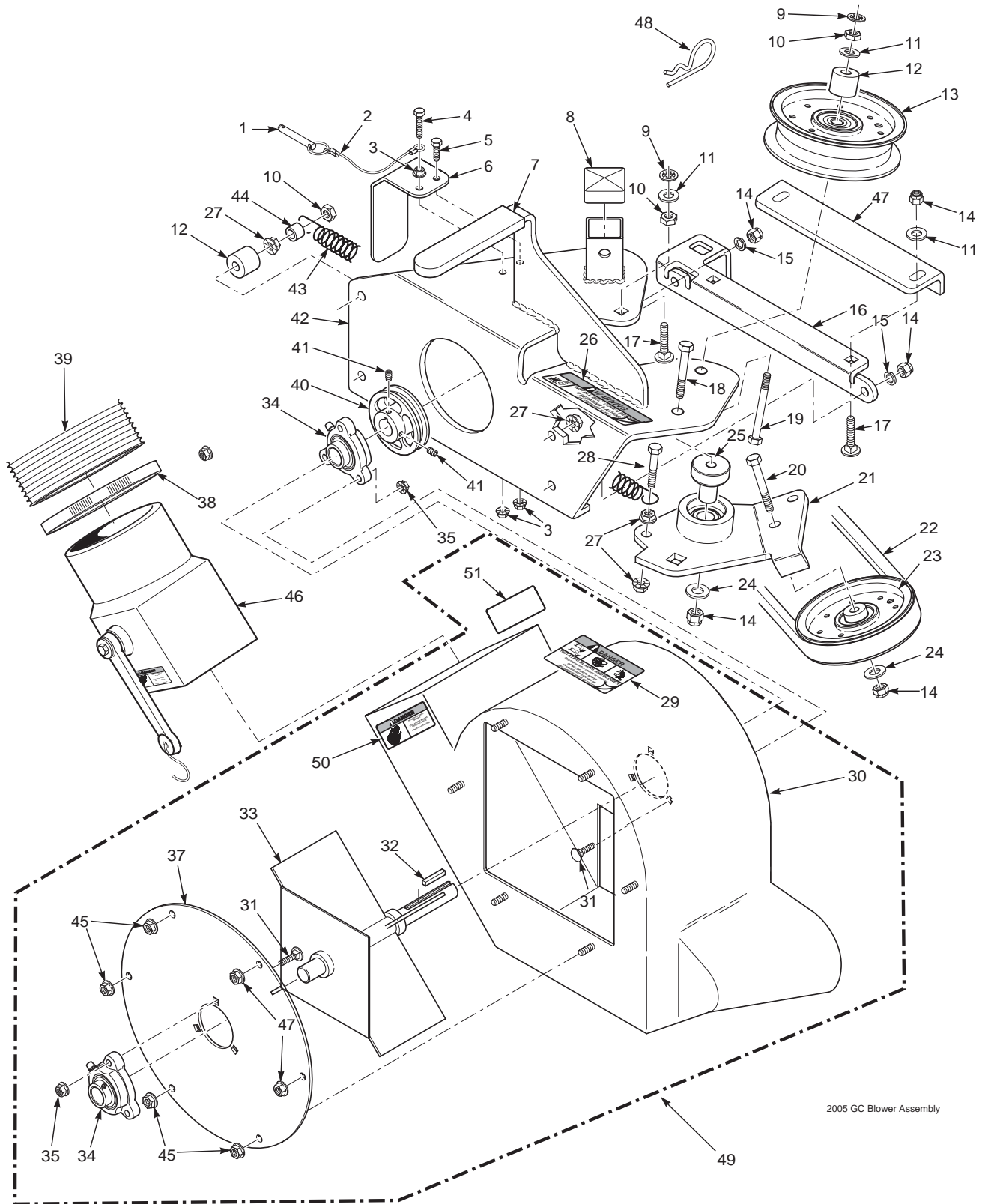


FIGURE 4-2

Notes

GC-STC 48" & 52" BLOWER HOUSING ASSEMBLY

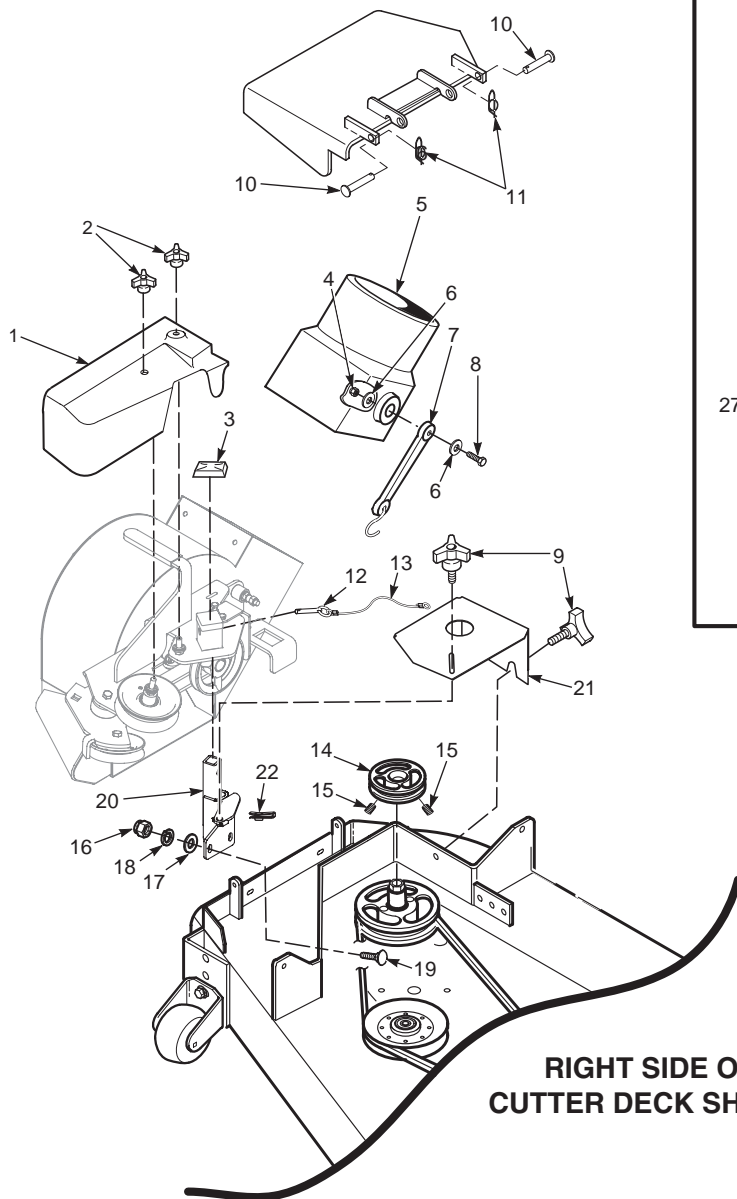


2005 GC Blower Assembly

GC-STC 48" & 52" BLOWER HOUSING ASSEMBLY

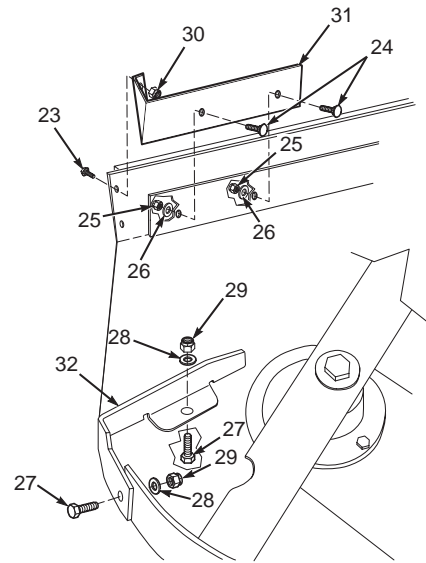
Ref. No.	Part Number	Description	Ref. No.	Part Number	Description
1	04067-07	Pin, Ring 2-1/4" Long	27	04019-04	Nut, Serr. Flange 3/8-16
2	481547	Lanyard, Deck Height Pin	28	04001-136	Bolt, Hex Head 3/8-16 x 1-1/2 Gr. 8
3	04019-02	Nut, Serr. Flange 1/4-20	29	481377	Decal, Danger
4	04001-59	Bolt, Hex Head 1/4-20 x 1-1/4"	30	461681	Blower Housing Assembly
5	04001-01	Bolt, Hex Head 1/4-20 x 3/4"	31	04003-12	Bolt, Carr. 5/16-18 x 3/4" Gr. 5
6	423298	Belt Cover, Rear	32	04063-06	Key, 1/4 x 1/4 x 1-1/2"
7	481428	Grip, Blower Lever	33	451683	Fan Weldment
8	482300	Cap, Square	34	483034	Bearing Assembly
9	04024-02	Nut, Push On 3/8 Thread	35	04021-10	Nut, Elastic Stop 5/16-18
10	04021-05	Lock Nut, 3/8-16	36	04040-04	Flatwasher, 5/16-.344 x .688 x .065
11	04041-07	Flatwasher, 3/8-.391 x .938 x .105	37	421319	Cover, Blower Housing
12	43277	Spacer	38	48136-02	Clamp, 8-5/8" Max Dia.
13	482299	Pulley, Idler 4" Dia.	39	48135-09	Hose, 8.00" Dia. x 53" Long
14	04021-09	Nut, Elastic Stop 3/8-16	40	482298	Pulley, 4-3/4" O.D. - 1" Bore
15	04030-04	Lockwasher, 3/8-16	41	04012-04	Set Screw, 5/16-18 x 3/8"
16	423933	Plate, Catch Mounting	42	451655	Frame, Blower Mount
17	04003-05	Bolt, Carr. 3/8-16 x 1-1/2"	43	481522	Spring, Main Drive
18	04001-54	Bolt, Hex Head 3/8-16 x 3" - 52"	44	43212	Spacer
	04001-46	Bolt, Hex Head 3/8-16 x 2-1/4" - 61"	45	04019-03	Nut, Serr. Flange 5/16-18
19	04001-81	Bolt, Hex Head 3/8-16 x 3-1/2"	46	461723	Adapter w/Strap
20	04001-21	Bolt, Hex Head 3/8-16 x 1-3/4"	47	424094	Plate, Blower Catch
21	461812	Idler Arm Assembly	48	04062-05	Hair Pin Cotter, .243 x 4"
22	482278	Belt, GC-STC	49	461680	Blower Housing Assembly, GC-STT
23	482079	Pulley, 3" O.D., GC-STC	50	482080	Decal, Rotating Blower
24	04043-04	Washer, 3/8 Hardened	51	481377	Decal, Blower
25	43575	Pivot, Idler			
26	481039	Decal, Belt Cover			

GC-STC 48" & 52" BLOWER MOUNTING COMPONENTS



**RIGHT SIDE OF
CUTTER DECK SHOWN**

**FOR MACHINES WITH A SERIAL
NUMBER BETWEEN
7630001 - 8479999
ONLY**



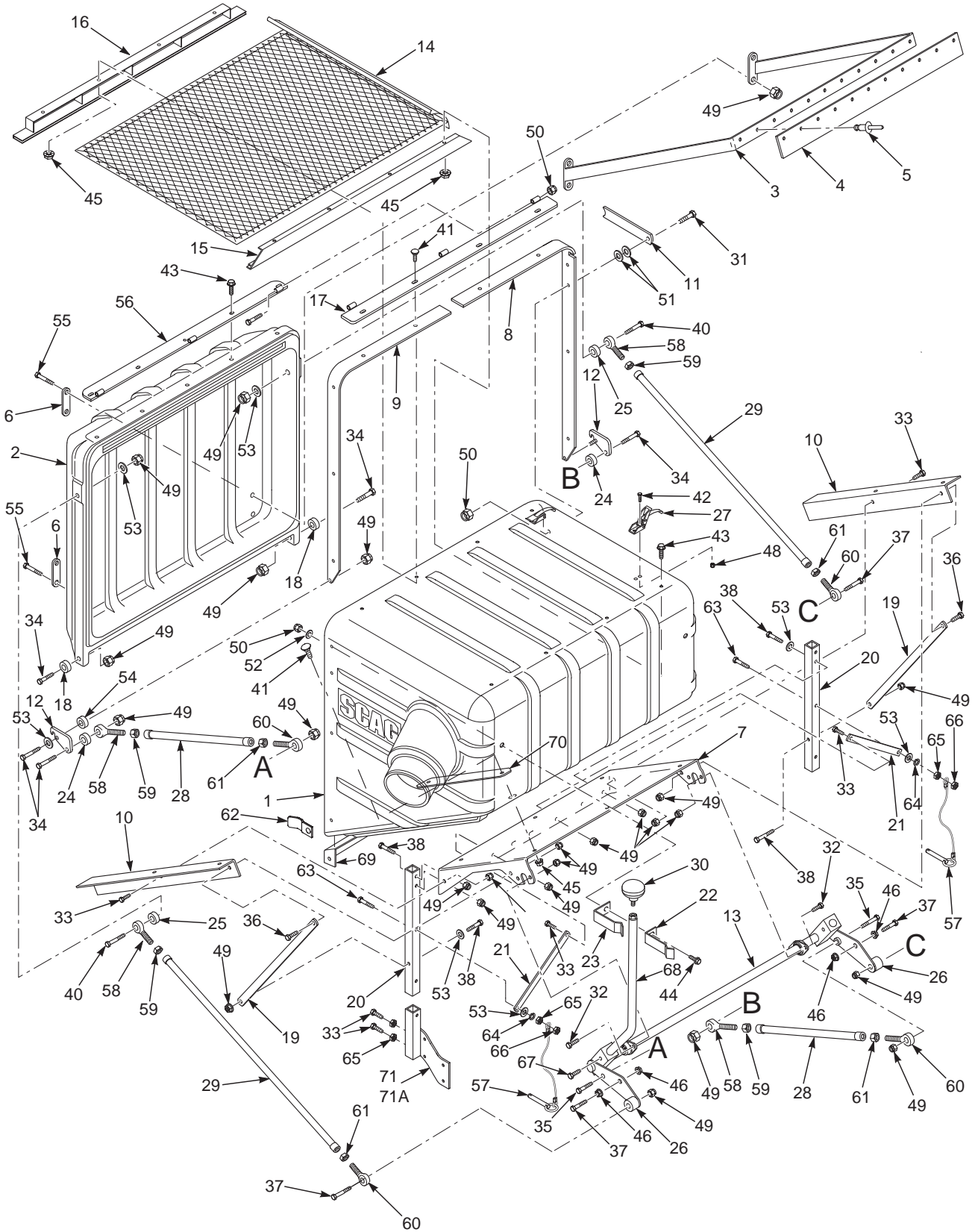
**UNDER SIDE OF
CUTTER DECK SHOWN**

390STC203B

GC-STC 48" & 52" BLOWER MOUNTING COMPONENTS

Ref. No.	Part Number	Description
1	482612	Belt Cover, GC-STC
2	04029-04	Wingnut, Plastic 3/8" Small
3	482300	Cap, Square Vinyl
4	04021-08	Nut, Elastic Stop 1/4-20
5	461723	Adapter, Blower GC-STC, includes item #7
6	04040-14	Flatwasher, 1/4-.312 x .750 x .065
7	48137-04	Rubber Strap 7-3/4"
8	04001-59	Bolt, Hex Head 1/4-20 x 1-1/4"
9	481625-01	Knob W/Stud, 3/8-16 x 1-1/4"
10	04064-15	Clevis Pin, 5/16 x 1-1/2"
11	04069-03	Pin, Rue Cotter 5/16 Dia.
12	04067-07	Pin, Ring 1/2 x 2-1/4"
13	481547	Lanyard
14	482587	Pulley, 4.0" Dia. 1.125 Bore
15	04012-04	Setscrew, 5/16-18 x 3/8"
16	04021-09	Nut, Elastic Stop 3/8-16
17	04030-04	Lockwasher, 3/8"
18	04041-07	Flatwasher, 3/8-.391 x .938 x .105
19	04003-11	Bolt, Carr. 3/8-16 x 1-1/4" Grade 5
20	451693	Mounting Post Weldment, Blower
21	423708	Belt Cover
22	04110-03	U-Nut
23	04017-05	Bolt, Hex Head 1/4-20 x 3/4"
24	04003-23	Bolt, Carriage 3/8-16 x 1"
25	04021-09	Nut, Elastic Stop 3/8-16
26	04041-07	Flatwasher, 3/8-.391 x .938 x .105
27	04001-09	Bolt, Hex Head 5/16-18 x 1"
28	04040-15	Flatwasher, 5/16-.375 x .875 x .083
29	04021-10	Nut, Elastic Stop 5/16-18
30	04019-02	Nut, Serrated Flange 1/4-20
31	423633	Baffle, 48"
	423629	Baffle, 52"
32	423955	Baffle, Turbo 48" Deck
	423956	Baffle, Turbo 52" Deck

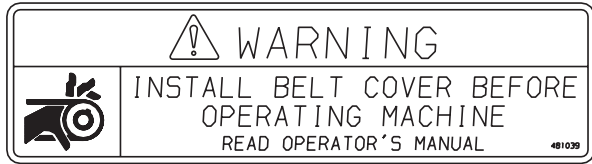
GC-STC-CS HOPPER COMPONENTS



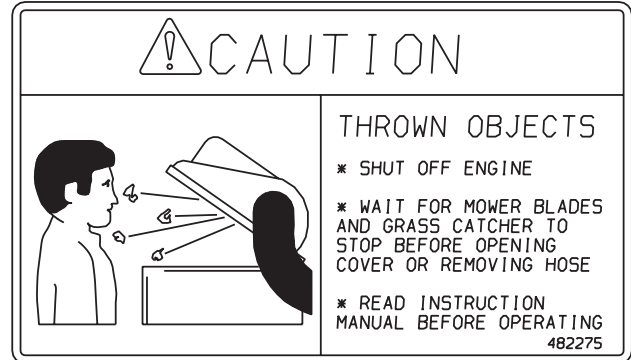
GC-STC-CS HOPPER COMPONENTS

Ref. No.	Part Number	Description	Ref. No.	Part Number	Description
1	461627	Hopper, GC-STC-CS	40	04001-77	Bolt, Hex Head 3/8-16 x 3-1/2"
2	482732	Door, GC-CS	41	04003-04	Bolt, Carriage 5/16-18 x 1"
3	461626	Sweeper Weldment, GC-CS	42	04010-01	Screw, #10-32 x 1/2"
4	482777	Pad, Rubber	43	04017-16	Cap Screw, 5/16-18 x 3/4" Serr. Flan.
5	04090-02	Pop Rivet, 3/16 x .652	44	04017-17	Cap Screw, 5/16-18 x 1" Serr. Flan.
6	423834	Plate, Stiffener	45	04019-03	Nut, 5/16-18 Serrated Flange
7	423938	Support Frame, Hopper	46	04019-04	Nut, 3/8-16 Serrated Flange
8	423849	Hinge Bracket, L.H.	47	04020-12	Nut, 3/8-16 UNC Jam
9	423850	Hinge Bracket, R.H.	48	04021-01	Nut, #10-32 Elastic Stop
10	423858	Bracket, Hopper Support	49	04021-09	Nut, 3/8-16 Elastic Stop
11	423837	Latch, Door Prop	50	04021-10	Nut, 5/16-18 Elastic Stop
12	423840	Plate, Latch	51	04032-01	Washer, Special Wave
13	451599	Bellcrank Weldment, Upper	52	04040-15	Washer, 5/16-.375 x .875 x .083 Flat
14	451601	Debris Screen Weldment	53	04041-07	Washer, 3/8-.931 x .938 x .105 Flat
15	451602	Screen Support Weldment, Rear	54	43642	Bushing, Hopper Latch GC-CS
16	451603	Screen Support Weldment, Front	55	04001-54	Bolt, Hex Head 3/8-16 x 3"
17	451607	Hinge Weldment, Hopper	56	451598	Hinge Weldment, Door
18	43631	Spacer	57	481547	Lanyard
19	423851	Brace Stiffener, Short	58	481538	Rod End Male, 3/8-24 L.H. Thread
20	423852	Tube, Upright	59	04020-26	Nut, 3/8-24 UNF L.H. Thread
21	422386	Brace, Engine Mount	60	481539	Rod End Male, 3/8-24 R.H. Thread
22	423862	Latch, Dump Rod Inner	61	04020-25	Nut, 3/8-24 UNF R.H. Thread
23	423864	Latch, Dump Rod Outer	62	423865	Alignment Bracket, GC-CS
24	43063	Spacer	63	04001-31	Bolt, Hex Head 3/8-16 x 2-1/2"
25	43282	Spacer	64	04030-04	Lock Washer, 3/8-16 Spring
26	43277	Spacer	65	04020-04	Nut, 3/8-16 UNC Zinc
27	481309	Latch, Hood	66	04021-05	Nut, 3/8-16 Center Lock
28	43641	Linkage Assembly, Lower	67	04001-12	Bolt, Hex Head 5/16-18 1-3/4"
29	43640	Linkage Assembly, Upper		04012-10	Nut, 5/16-18 Elastic Stop (Not Shown)
30	481245	Knob	68	44147	Rod, Dump Lever
31	04001-10	Bolt, Hex Head 5/16-18 x 1-1/4	69	423855	Bracket, Lower Stiffener
32	04001-18	Bolt, Hex Head 3/8-16 x 3/4"		423859	Backing Plate, Hopper (Not Shown)
33	04001-19	Bolt, Hex Head 3/8-16 x 1"	70	423836	Retainer Strip, Hopper
34	04001-20	Bolt, Hex Head 3/8-16 x 1-1/2"	71	451726	Mounting Bracket Weldment, R.H.
35	04001-21	Bolt, Hex Head 3/8-16 x 1-3/4"	71A	451725	Mounting Bracket Weldment, L.H.
36	04001-32	Bolt, Hex Head 3/8-16 x 1-1/4"			
37	04001-45	Bolt, Hex Head 3/8-16 x 2"			
38	04001-46	Bolt, Hex Head 3/8-16 x 2-1/4"			
39	04001-63	Bolt, Hex Head 5/16-18 x 3-1/2"			

GC-STC-CS DECALS



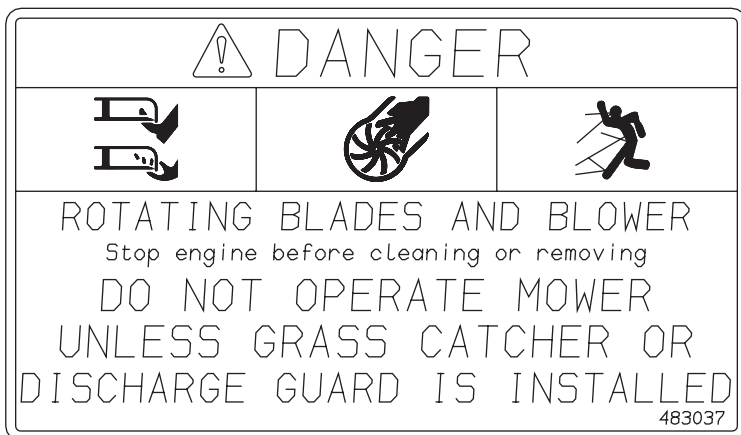
481039



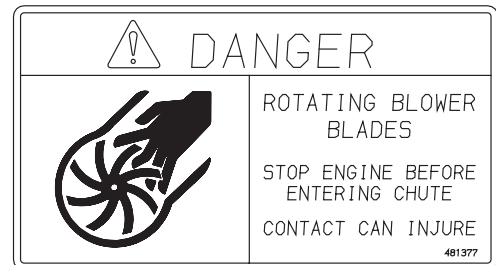
482275



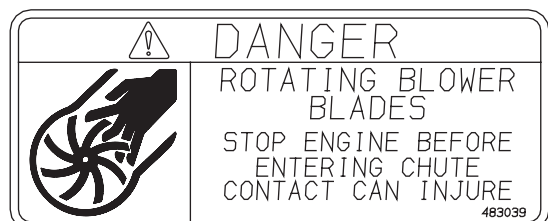
481327



483037



481377



483039

LIMITED WARRANTY- COMMERCIAL ACCESSORY

Any part of the Scag commercial accessory manufactured by Scag and found, in the reasonable judgment of Scag, to be defective in material or workmanship, will be repaired or replaced by an Authorized Scag Service Dealer without charge for parts and labor.

The Scag accessory, including any defective part, must be returned to an Authorized Scag Service Dealer within the warranty period. The expense of delivering the accessory to the dealer for warranty work and the expense of returning it back to the owner after repair or replacement will be paid for by the owner. Scag's responsibility in respect to claims is limited to making the required repairs or replacements, and no claim of breach of warranty shall be cause for cancellation or rescission of the contract of sale of any Scag machine. Proof of purchase will be required by the dealer to substantiate any warranty claim. All warranty work must be performed by an Authorized Scag Service Dealer.

This warranty is limited to 90 days from the date of original retail purchase for any Scag accessory that is used for commercial purposes, or any other income-producing purpose including rental use.

This warranty does not cover any accessory that has been subject to misuse, neglect, negligence, or accident, or that has been operated in any way contrary to the operating instructions as specified in the Operator's Manual. The warranty does not apply to any damage to the accessory that is the result of improper maintenance, or to any accessory or parts that have not been assembled or installed as specified in the Operator's Manual.

The warranty does not cover any accessory that has been altered or modified. In addition, the warranty does not extend to repairs made necessary by normal wear, or by the use of parts or accessories which, in the reasonable judgment of Scag, are either incompatible with the Scag mower or adversely affect its operation, performance or durability. This warranty does not cover engines and electric starters, which are warranted separately by their manufacturer.

Scag Power Equipment reserves the right to change or improve the design of any accessory without assuming any obligation to modify any accessory previously manufactured.

All other implied warranties are limited in duration to the 90 day warranty period. Accordingly, any such implied warranties including merchantability, fitness for a particular purpose, or otherwise, are disclaimed in their entirety after the expiration of the appropriate ninety day warranty period. Scag's obligation under this warranty is strictly and exclusively limited to the repair or replacement of defective parts and Scag does not assume or authorize anyone to assume any other obligation for them. Some states do not allow limitations on how long an implied warranty lasts, so the above limitation may not apply to you.

Scag assumes no responsibility for incidental, consequential or other damages including, but not limited to, expense for gasoline, oil, expense of delivering the machine to an Authorized Scag Service Dealer and expense of returning it back to the owner, mechanic's travel time, telephone or telegram charges, rental of a like product during the time warranty repairs are being performed, travel, loss or damage to personal property, loss of revenue, loss of use of the mower, loss of time, or inconvenience. Some states do not allow the exclusion or limitation of incidental or consequential damages, so the above limitation or exclusion may not apply to you.

This warranty gives you specific legal rights, and you may also have other rights which vary from state to state.

© 2004
SCAG POWER EQUIPMENT
DIVISION OF METALCRAFT OF MAYVILLE, INC
www.scag.com

PART NO. 03156
PRINTED 8-2004
PRINTED IN USA